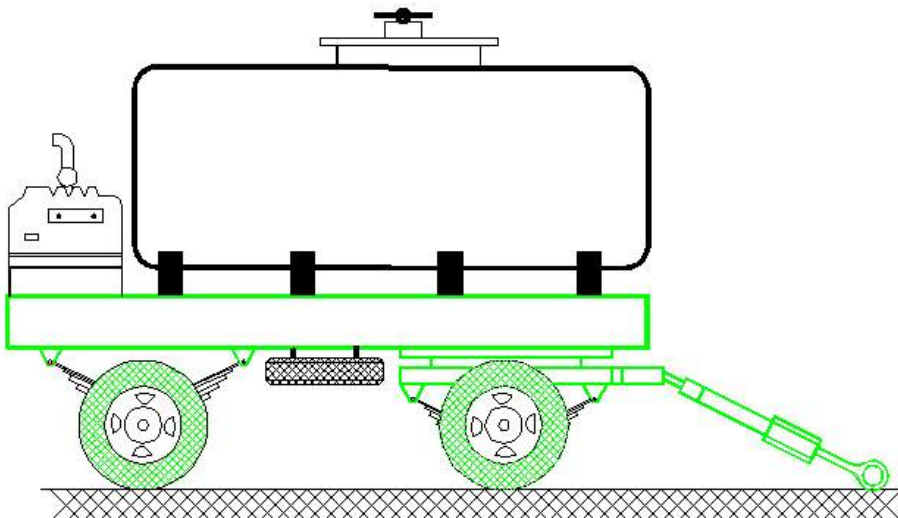


Foam Trailer 200 Liters:



- The trailer is made out of a one axle, steel chassis.
- The trailer has 2 suitable steel tires.
- The trailer is equipped with a handle to ease pulling.
- The trailer is equipped with either a stainless steel tank or a treated fiber glass tank that does not react with acids and foam chemicals used.
- The tank is complete with filling and discharging outlets.
- The trailer is equipped with a 200 liter/min. foam mixer connected to the foam tank and complete with a connecting unit, intake hose and discharge hose (water and foam).
- Foam mixing ratio is 1%-10%
- Pressure at the mixer from 5-10 bar either from the portable pump or another fire fighting truck or any other source.
- The trailer is equipped with 2 hoses, 30 m long, 2.5" diameter, complete with fittings.

ELECTROLAB

212, Sudan St. Midan Lebanon Cairo – Egypt

www.electrolabtrucks.com

Tel.: ++20-2- 347 9769/ 347 4236

Fax: ++ 20-2-302 5791

Email: electrolab@electrolabtrucks.com